



europa  
Kultur. Denken

# Europeana v2.0

To ensure the continued running and development of  
Europeana until 2014

EuropeanaTech conference

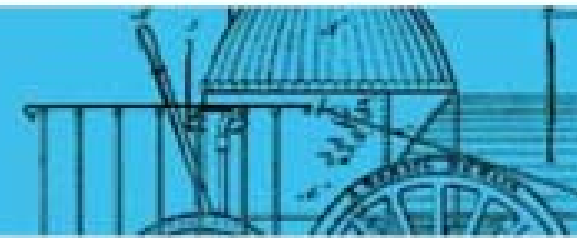
5 October 2011

Lizzy Komen, Europeana Foundation



# Europeana Strategic Plan 2011-2015

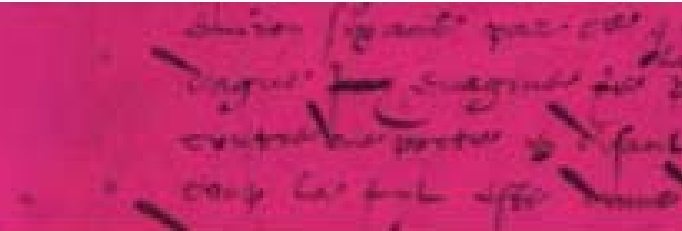
**1** **Aggregate** Build the open trusted source for European cultural heritage content



**2** **Facilitate** Support the cultural heritage sector through knowledge transfer, innovation and advocacy



**3** **Distribute** Make their heritage available to users wherever they are, whenever they want it



**4** **Engage** Cultivate new ways for users to participate in their cultural heritage



# Ev2.0 Quick facts

- CIP ICT PSP- Programme
- 29 month project
- Start 1 October 2011 – End February 2014
- Funding: 9 million euro
- Total of 950 Person Month
- Europeanav2.0 is to facilitate progress of Europeana, its content, functionalities, user needs and networks

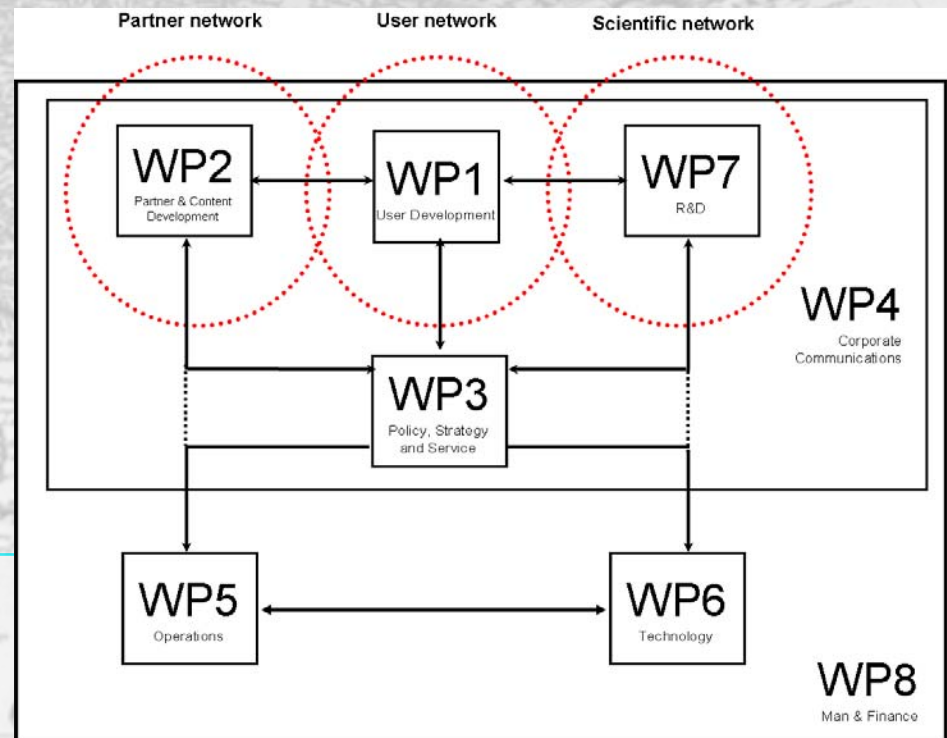


# Partners

- Europeana Foundation, Netherlands
- British Library, UK
- Österreichische Nationalbibliothek, Austria
- Humboldt-Universität zu Berlin, Germany
- Ministerio de Cultura, Spain
- Biblioteka Narodowa, Poland
- Beeld en Geluid, Netherlands
- Institute National de l'Audiovisuel, France
- CNR-ISTI, Italy
- Department of Arts, Heritage and the Gaelt, Ireland

# Workpackages

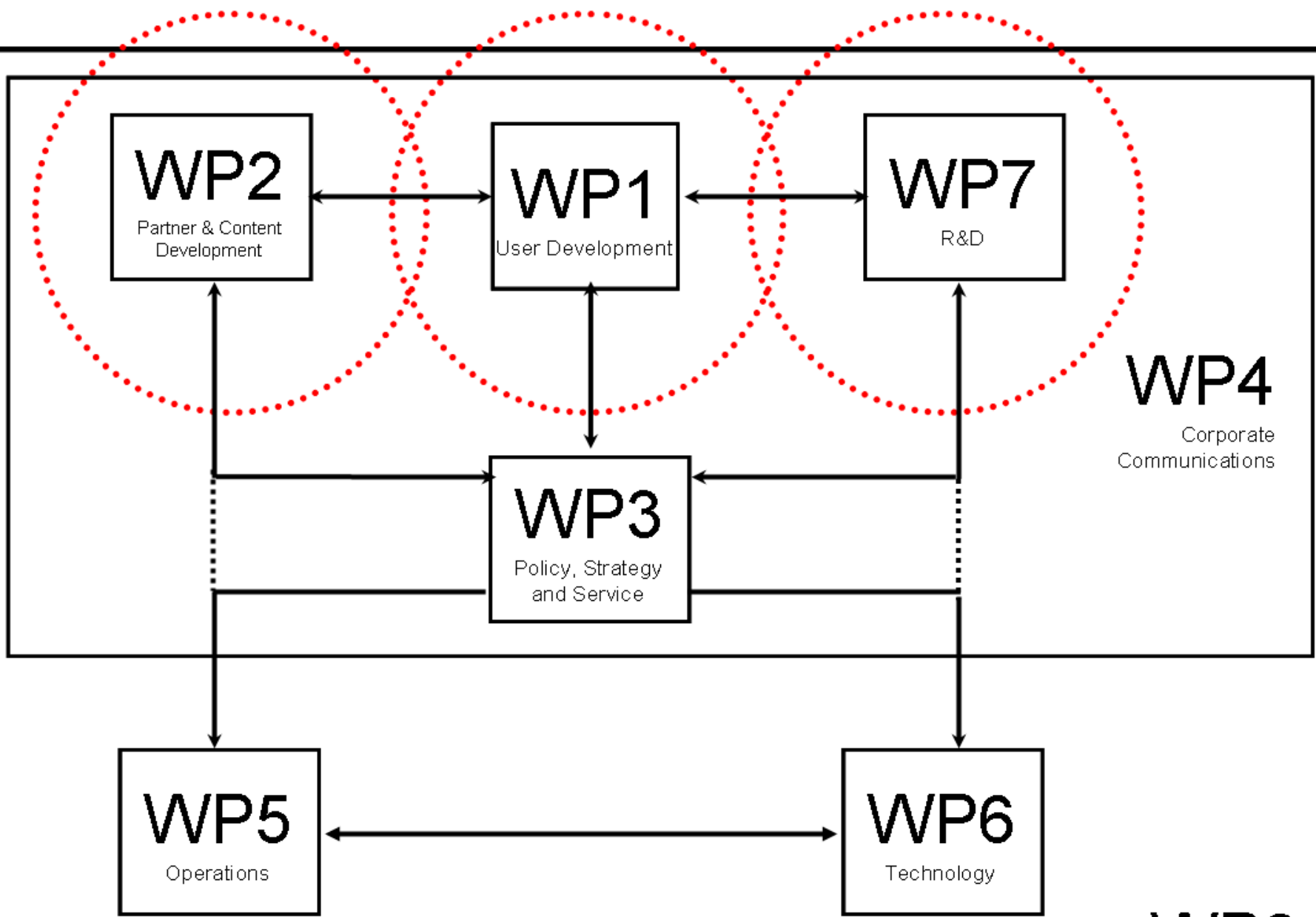
1. User Development
2. Partner & Content Development
3. Policy, Strategy & Services
4. Corporate Communications
5. Operations
6. Technology
7. Innovation
8. Management



Partner network

User network

Scientific network



**WP4**  
Corporate Communications

**WP8**  
Man & Finance



# WP7 - Innovation

- Facilitation
- Continue to develop the R&D Community
- Builds on WP3 and existing Communities
- WP7 is not just l'art pour l'art
- Innovation beneficial for Europeana *as well as* Cultural Heritage and Research Communities



Thank you

[lizzy.komen@kb.nl](mailto:lizzy.komen@kb.nl)  
[www.europeana.eu](http://www.europeana.eu)